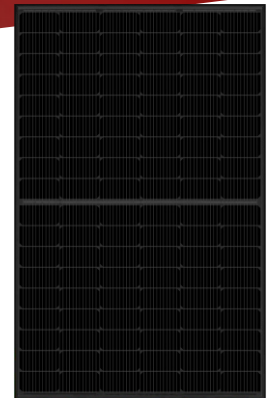


LUXNERI® SERIES 5

390-410W Mono FULL BLACK

108 Half-Cell Layout
M10/182mm Cell



Full Black Appearance
for Aesthetic Effect



Gallium-doped Technology



Half Cut Cell Technology



Anti-PID
Low LID
Performance

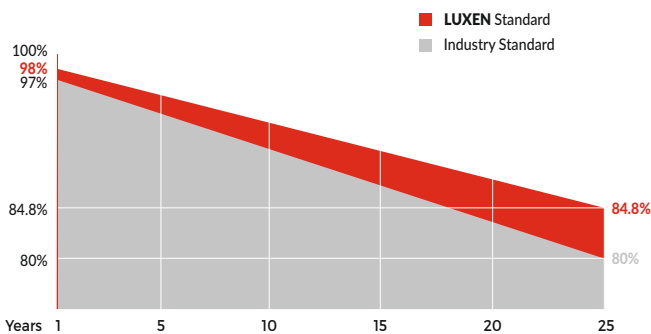


Less Hot Spot
Shading Effects



Ideal for Residential
Rooftop Application

Linear performance Warranty



* LUXEN PERC: Standard warranty 12 years, can be extended up to 15 years.

Comprehensive Certificates

- ISO9001:2015 QMS
- ISO14001:2015 EMS
- ISO45001:2018 OHSMS
- IEC61215/IEC61730 Standard Quality
- IEC60068-2-68 Dust & Sand
- IEC61701 Salt Mist Corrosion
- IEC716 Ammonia Corrosion



LUXEN SOLAR ENERGY CO., LTD.

Production HQ: No.1, Haiyue Road, Nantong, Jiangsu, 226000, China

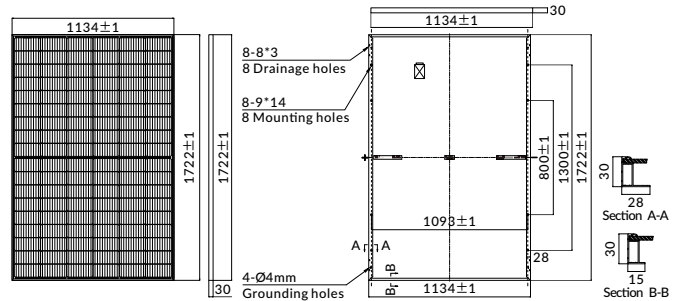
Operational HQ: Vienna Technology Center, Christine-Touaillon-Strasse 11/2.01, 1220 Vienna, Austria

T: +86 512 6708 1572 | F: +86 512 6708 1570 | sales@luxensolar.com

www.luxensolar.com

MECHANICAL CHARACTERISTICS

Solar Cells	Mono
No. of Cells	108 (6x18)
Dimensions	1722 x 1134 x 30mm (35mm)
Weight	20.5kg
Front Glass	3.2mm coated tempered glass
Frame	Anodized aluminium alloy
Junction Box	Ip68 rated (3 by pass diodes)
Output Cables	4.0mm ²
Frame Size	300mm (+) / 300mm (-) or customized
Connectors	Mc4 compatible
Mechanical load test	5400Pa



ELECTRICAL PARAMETERS

POWER CLASS	LNVB-390M		LNVB-395M		LNVB-400M		LNVB-405M		LNVB-410M	
	STC	NMOT	STC	NMOT	STC	NMOT	STC	NMOT	STC	NMOT
Maximum power (Pmax)	390W	294W	395W	298W	400W	302W	405W	306W	410W	310W
Open Circuit Voltage (Voc)	36.99V	34.97V	37.24V	35.25V	37.49V	35.54V	37.74V	35.82V	37.98V	36.10V
Short Circuit Current (Isc)	13.49A	10.81A	13.56A	10.85A	13.63A	10.89A	13.70A	10.93A	13.77A	10.97A
Voltage at Maximum power (Vmpp)	30.95V	28.85V	31.18V	29.13V	31.40V	29.41V	31.62V	29.68V	31.83V	29.95V
Current Maximum Power (Impp)	12.60A	10.19A	12.67A	10.23A	12.74A	10.27A	12.81A	10.31A	12.88A	10.35A
MODULE EFFICIENCY (%)	19.97%		20.23%		20.48%		20.74%		21.00%	

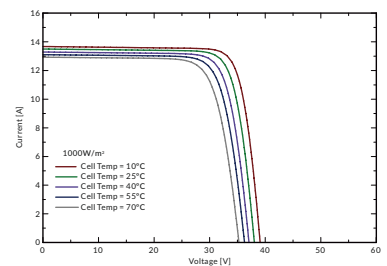
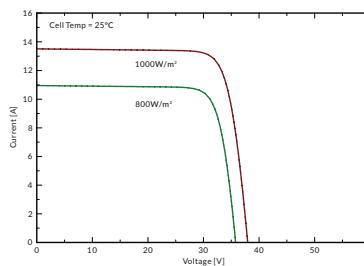
STC: Irradiance 1000W/m², cell temperature 25°C, AM1.5G NMOT: Irradiance 800W/m², ambient temperature 20°C, wind speed 1m/s, AM1.5G

PACKING CONFIGURATION

Container	40'HC (30mm)	40'HC (35mm optional)
Pieces per pallet	36	31
Pallets per container	26	26
Pieces per container	936	806

I-V CURVE

LNVB-405M/I-V



OPERATING CHARACTERISTICS

Operating Module Temperature	-40°C to +85°C
Maximum System Voltage	1500 DC (IEC)
Maximum Series Fuse Rating	25A
Power Tolerance	0/+5W

TEMPERATURE CHARACTERISTICS

Nominal Operating Temperature (NMOT)	45±2°C
Temperature Coefficient of Pmax	-0.36%/°C
Temperature Coefficient of Voc	-0.28%/°C
Temperature Coefficient of Isc	+0.05%/°C

Note: The specifications, data and technical characteristics provided in this data sheet are subject to changes due to continuous R&D, product innovation and improvement. LUXEN SOLAR reserves the right to modify the information any time without prior notice.