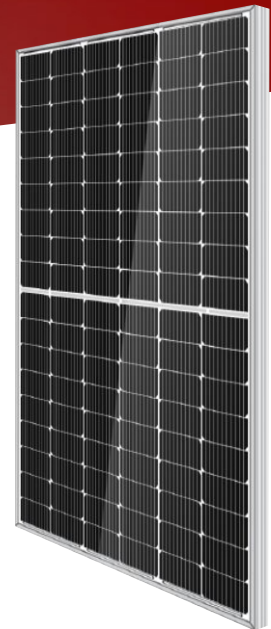


# LUXPOWER® SERIES 5

## 395-415W Mono

### 108 Half-Cell Layout

### M10/182mm Cell



Gallium-doped Technology



Half Cut Cell Technology



MBB Technology



Anti-PID  
Low LID  
Performance

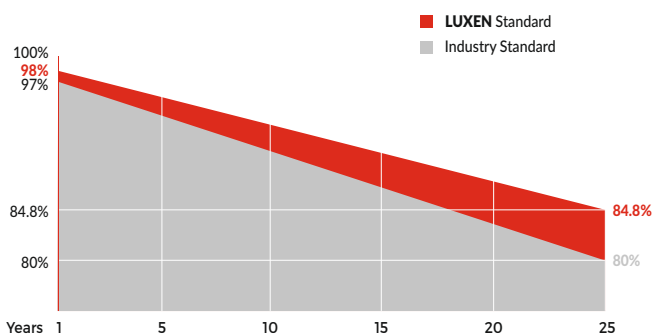


Less Hot Spot  
Shading Effects



Lower BOS & LCOE

### Linear Performance Warranty



\* LUXEN PERC: Standard warranty 12 years, can be extended up to 15 years.

### Insured By



### Comprehensive Certificates

- ISO9001:2015 QMS
- ISO14001:2015 EMS
- ISO45001:2018 OHSMS
- IEC61215/IEC61730 Standard Quality
- IEC61701/IEC62716 Salt/Mist/Ammonia Tests



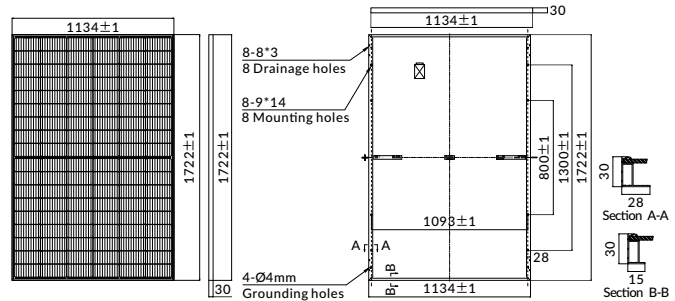
LUXEN SOLAR ENERGY CO., LTD.

Operational HQ: Vienna Technology Center, Christine-Touaillon-Strasse 11/2.01, 1220 Vienna, Austria  
 Production HQ: No.1, Haiyue Road, Nantong, Jiangsu, 226000, China  
 europe@luxensolar.at

www.luxensolar.com

MECHANICAL CHARACTERISTICS

Solar Cells	Mono
No. of Cells	108 (6x18)
Dimensions	1722 x 1134 x 30mm
Weight	20.5kg
Front Glass	3.2mm coated tempered glass
Frame	Anodized aluminium alloy
Junction Box	Ip68 rated (3 by pass diodes)
Output Cables	4.0mm <sup>2</sup> 300mm (+) / 300mm (-) Length can be customized
Connectors	Mc4 compatible
Mechanical load test	5400Pa



ELECTRICAL PARAMETERS

POWER CLASS	LNVB-395M		LNVB-400M		LNVB-405M		LNVB-410M		LNVB-415M	
	STC	NMOT	STC	NMOT	STC	NMOT	STC	NMOT	STC	NMOT
Maximum power (Pmax)	395W	298W	400W	302W	405W	306W	410W	310W	415W	314W
Open Circuit Voltage (Voc)	37.24V	35.25V	37.49V	35.54V	37.74V	35.82V	37.98V	36.10V	38.22V	36.38V
Short Circuit Current (Isc)	13.56A	10.85A	13.63A	10.89A	13.70A	10.93A	13.77A	10.97A	13.84A	11.01A
Voltage at Maximum power (Vmpp)	31.18V	29.13V	31.40V	29.41V	31.62V	29.68V	31.83V	29.95V	32.05V	30.22V
Current Maximum Power (Impp)	12.67A	10.23A	12.74A	10.27A	12.81A	10.31A	12.88A	10.35A	12.95A	10.39A
MODULE EFFICIENCY (%)	20.23%		20.48%		20.74%		21.00%		21.25%	

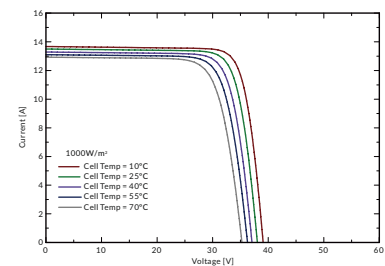
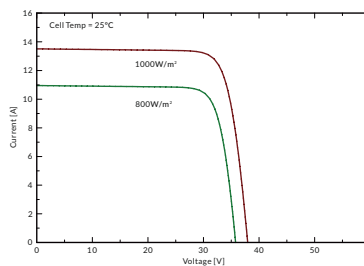
STC: Irradiance 1000W/m<sup>2</sup>, cell temperature 25°C, AM1.5G    NMOT: Irradiance 800W/m<sup>2</sup>, ambient temperature 20°C, wind speed 1m/s, AM1.5G

PACKING CONFIGURATION

Container	20'GP	40'HQ
Pieces per pallet	36	36
Pallets per container	6	26
Pieces per container	216	936

I-V CURVE

LNVB-405M/I-V



OPERATING CHARACTERISTICS

Operating Module Temperature	-40°C to +85°C
Maximum System Voltage	1500 DC (IEC)
Maximum Series Fuse Rating	25A
Power Tolerance	0/+5W

TEMPERATURE CHARACTERISTICS

Nominal Operating Temperature (NMOT)	45±2°C
Temperature Coefficient of Pmax	-0.36%/°C
Temperature Coefficient of Voc	-0.28%/°C
Temperature Coefficient of Isc	+0.05%/°C

Note: The specifications, data and technical characteristics provided in this data sheet are subject to changes due to continuous R&D, product innovation and improvement. LUXEN SOLAR reserves the right to modify the information any time without prior notice.